

Non-Powered Rota-Shaft Clamps For J.I.C. Flange Mount Cylinder

E&E SPECIAL PRODUCTS
7200 MILLER DRIVE
WARREN, MI 48092
E&ESP 586-978-3377 / 586-978-3378 FAX

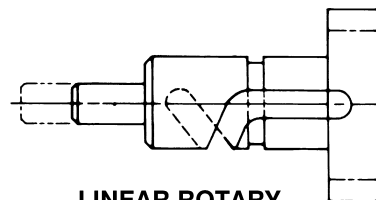
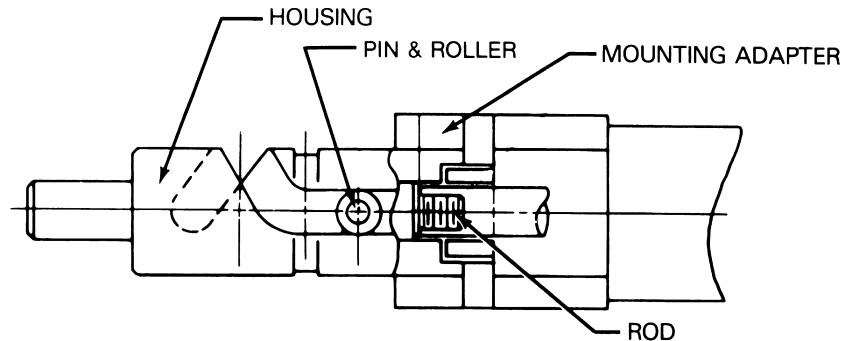
MOST VERSATILE CLAMP ON THE MARKET

Mounts to standard J.I.C. flange mount cylinder
One standard clamp will accommodate a wide range of applications with varying degrees of rotation, up to 180°, simply by altering cylinder stroke
Clamping rod is independent of cylinder rod

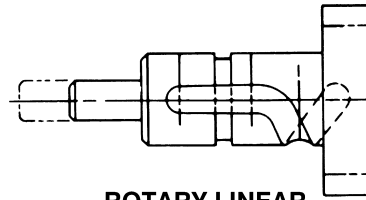


DESIGN FEATURES

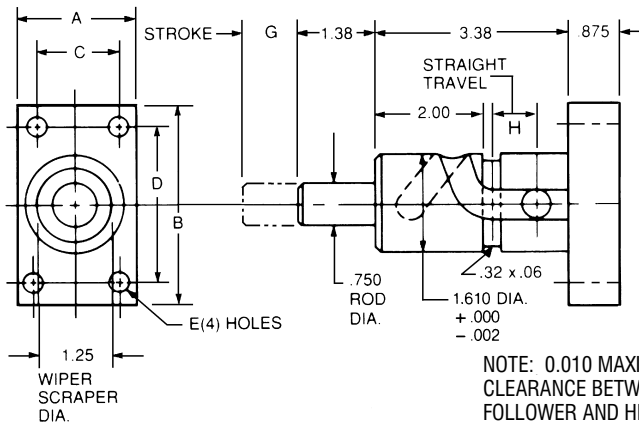
- Precision machined cam track
- Housing hardened and ground
- Precision cam roller hardened and ground
- High alloy machineable steel shaft
- Housing groove provides 360° access for easy lubrication
- Threaded shaft provides for easy attachment
- Opposite shaft end blank for easy customer modification
- Black oxide finish



LINEAR ROTARY
MODELS: EP-750
EP-112



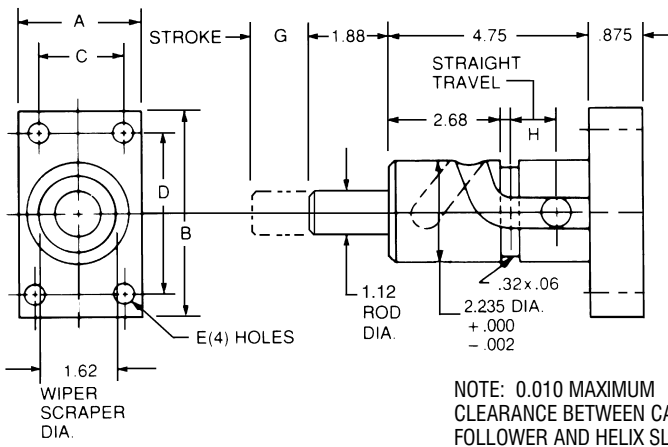
ROTARY LINEAR
MODELS: EP-057
EP-211



EP-750 & EP-057 SERIES

(LINEAR/ROTARY SHOWN)

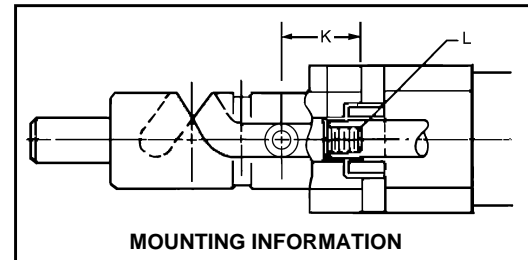
This series is available with 0° to 180° rotation, determined by cylinder stroke or rod travel. Linear/Rotary or Rotary/Linear standard.



EP-112 & EP-211 SERIES

(LINEAR/ROTARY SHOWN)

This series is available with 0° to 180° rotation, determined by cylinder stroke or rod travel. Linear/Rotary or Rotary/Linear standard.



CAD FILE NAME	PART NUMBER	CYLINDER BORE (IN.)	DIMENSIONS								
			A	B	C	D	E	G	H	K	L
EP75015	EP-750-15 (R/L)	1-1/2	2.0	3.38	1.43	2.75	.32	*	*	1.370	7/16-20
EP75020	EP-750-20 (R/L)	2.0	2.50	4.12	1.84	3.38	.38	*	*	1.370	7/16-20
EP75025	EP-750-25 (R/L)	2-1/2	3.0	4.62	2.19	3.88	.38	*	*	1.370	7/16-20
EP11225	EP-112-25 (R/L)	2-1/2	3.0	4.62	2.19	3.88	.38	*	*	1.810	3/4-16
EP11232	EP-112-32 (R/L)	3-1/4	3.75	5.50	2.76	4.68	.44	*	*	1.810	3/4-16
EP05715	EP-057-15 (R/L)	1-1/2	2.0	3.38	1.43	2.75	.32	*	*	1.370	7/16-20
EP05720	EP-057-20 (R/L)	2.0	2.50	4.12	1.84	3.38	.38	*	*	1.370	7/16-20
EP05725	EP-057-25 (R/L)	2-1/2	3.0	4.62	2.19	3.88	.38	*	*	1.370	7/16-20
EP21125	EP-211-25 (R/L)	2-1/2	3.0	4.62	2.19	3.88	.38	*	*	1.810	3/4-16
EP21132	EP-211-32 (R/L)	3-1/4	3.75	5.50	2.76	4.68	.44	*	*	1.810	3/4-16

* REFER TO COMPARABLE UNIT WITH CYLINDER FOR CYLINDER STROKE/ROTATION/STRAIGHT TRAVEL RELATIONSHIP

ORDERING INFORMATION

EP 750 15 (R/L)
 Powered Series Cylinder Bore Rotation
 R = Right
 L = Left

CAD Directory
 Linear-Rotary\Nonpower