

New Threaded Body Rota-Shaft for Hydraulic Applications

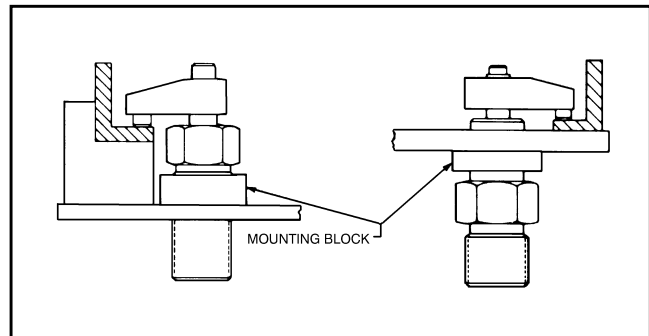
E&E SPECIAL PRODUCTS
7200 MILLER DRIVE
WARREN, MI 48092
E&ESP 586-978-3377 / 586-978-3378 FAX



An unusually compact high pressure hydraulic clamp for use with auxiliary power sources or intensifiers. 90° right- or left-hand rotation standard. Clamping finger included.

MODEL: E78138 has a maximum of 1800 psi.
Clamping force is equal to $.884 \times \text{psi}$.

MODEL: E91678 has a maximum of 2100 psi.
Clamping force is equal to $.353 \times \text{psi}$.



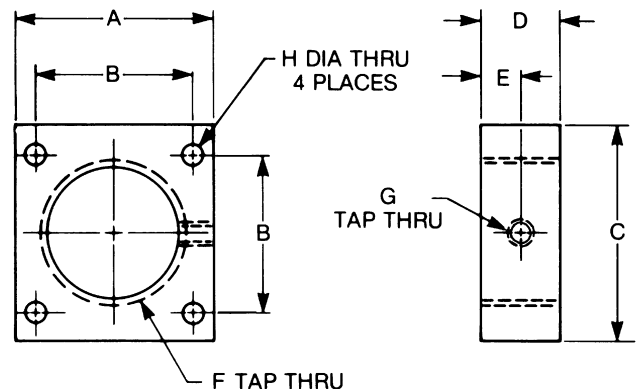
DESIGN FEATURES

- ❑ Generates higher pressures in limited space
- ❑ Available with spring return or double-acting
- ❑ Threaded body for ease of installation
- ❑ Built with both right- and left-hand rotation for easy conversion
- ❑ Hardened alloy steel shaft
- ❑ Straight pipe threads furnished as standard; NPT available with furnished adaptor

APPLICATION

Typically used in pull-type clamping situations where greater forces are required in confined or tight area.

MOUNTING BLOCK FOR THREADED BODY



CAD FILE NAME	PART NUMBER	DIMENSIONS							
		A	B	C	D	E	F	G	H
E-91678-MT	E-91678-MT	2.00	1.562	2.00	.50	.25	1-3/8-18	#10-32	7/32
E-78138-MT	E-78138-MT	2.75	2.125	2.75	1.00	.50	1-7/8-16	1/4-20	9/32

High Pressure

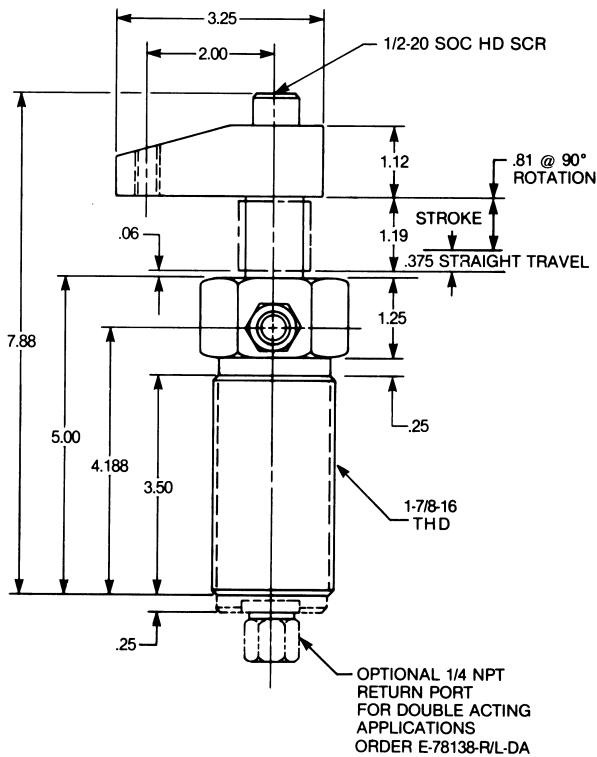
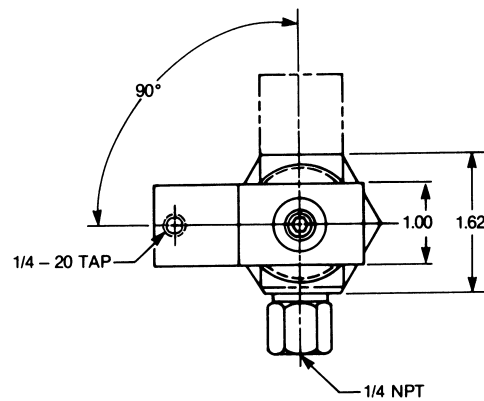
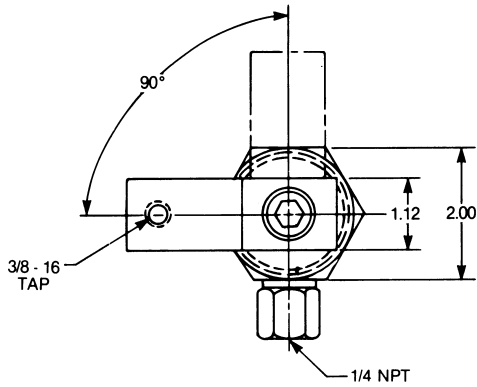


CAD File Name=E78138DA (DOUBLE ACTING)
E78138 (SINGLE ACTING)

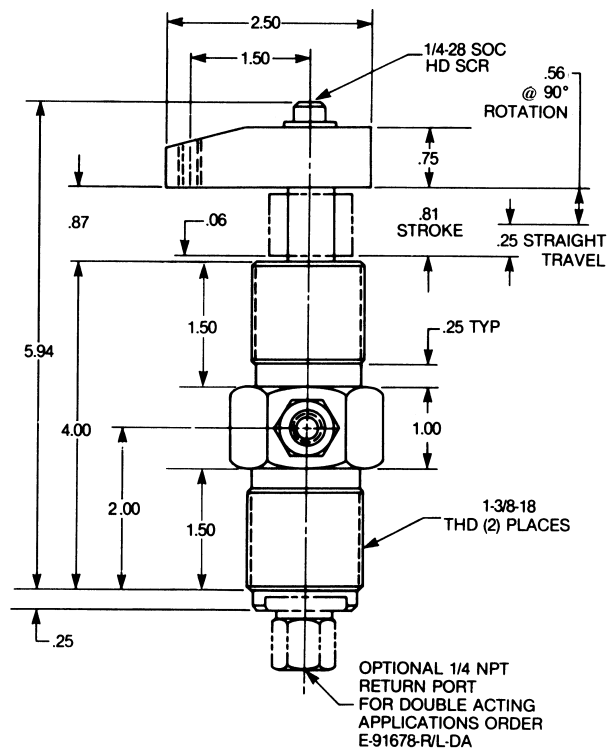
Part No. E-78138-R/L (SINGLE ACTING)
E-78138-R/L-DA (DOUBLE ACTING)

CAD File Name=E91678DA (DOUBLE ACTING)
E91678 (SINGLE ACTING)

Part No. E-91678-R/L (SINGLE ACTING)
E-91678-R/L-DA (DOUBLE ACTING)



7/8 ROD DIA
1-3/8 BORE DIA



9/16 ROD DIA
7/8 BORE DIA

Linear/Rotary Motion