

Low Profile Rota-Shaft



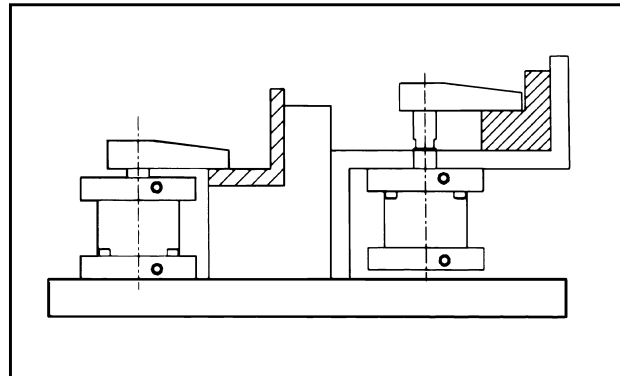
A unique large bore clamp with 90° right- or left-hand swing standard offered in 3 1/4" and 2 1/2" bore sizes.

DESIGN FEATURES

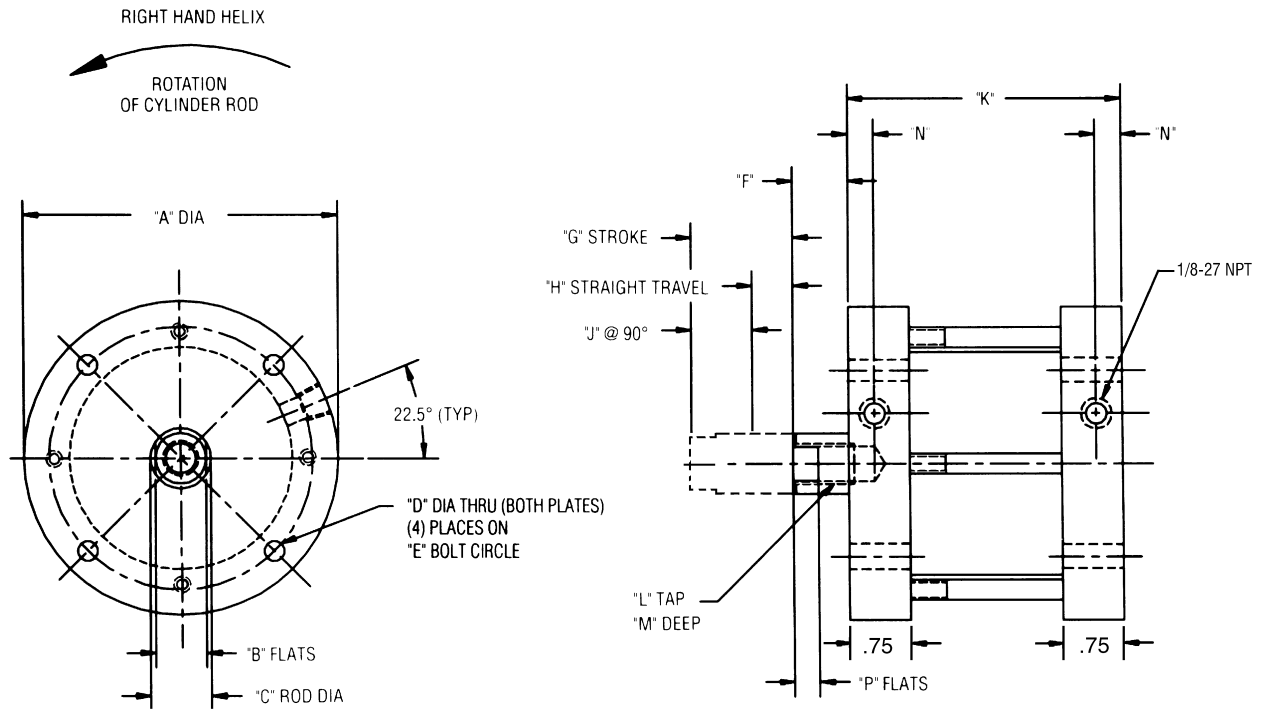
- Unit is totally self-contained to prevent contaminants from entering helix
- Additional rotational, straight travel and bores available on special order basis
- Versatile mounting holes
- Equipped with threaded rod end
- Light weight aluminum construction
- Air Powered

APPLICATION

Typically used when length is a problem. These clamps offer large bores in a low profile configuration.



100 PSI MAXIMUM



CAD FILE NAME	PART NO.	BORE DIA	A	B	C	D	E	F	G	H	J	K	L	M	N	P
E34212	E34212-(R/L)	2.50	3.875	.625	.750	9/32	3.25	5/8	1.25	.50	.75 @ 90°	3.38	7/16-20	.62	.31	.31
E10314	E10314-(R/L)	3.25	4.750	.875	1.000	21/64	4.12	3/4	1.75	.75	1.00 @ 90°	3.88	5/8-18	.94	.31	.34

Linear/Rotary Motion