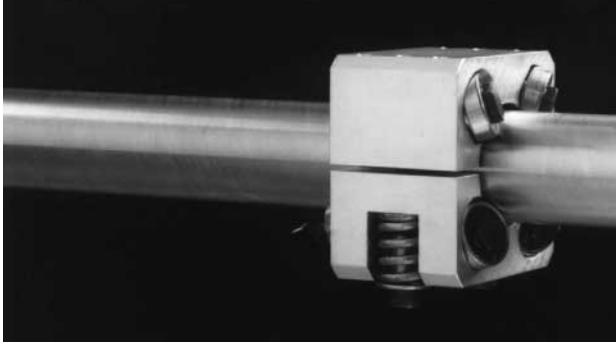


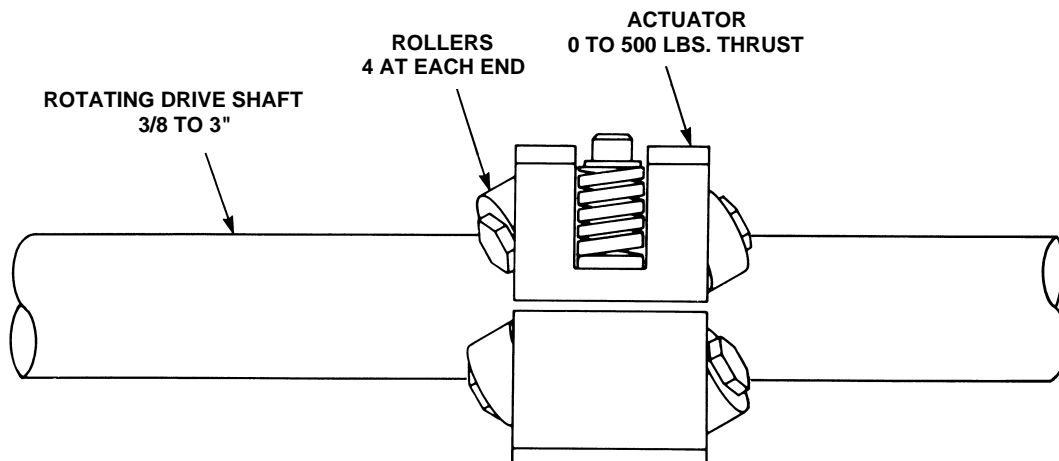
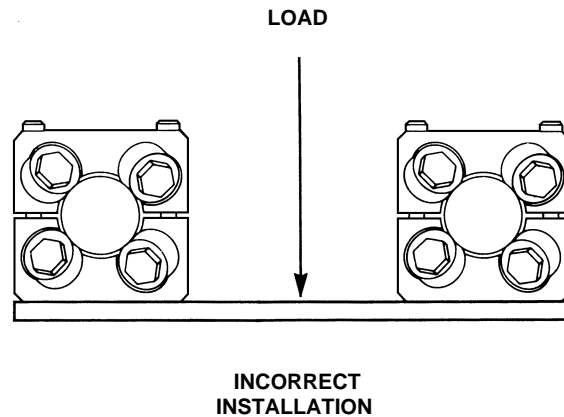
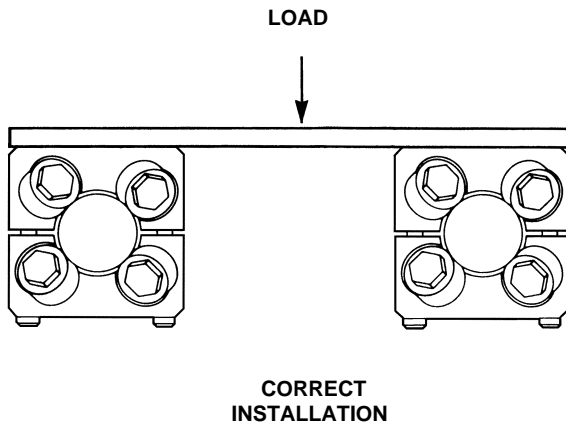
Rotary Driven Linear Actuator

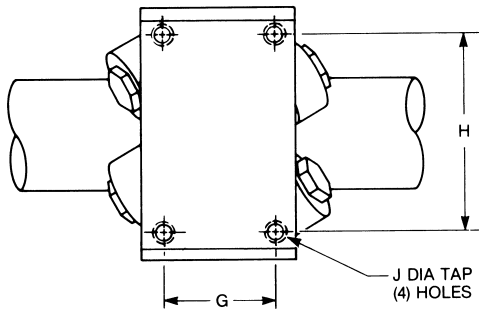
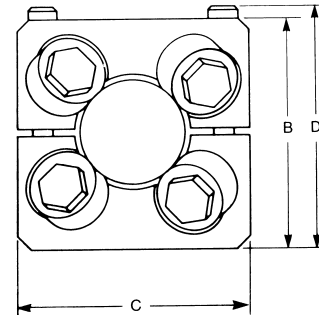
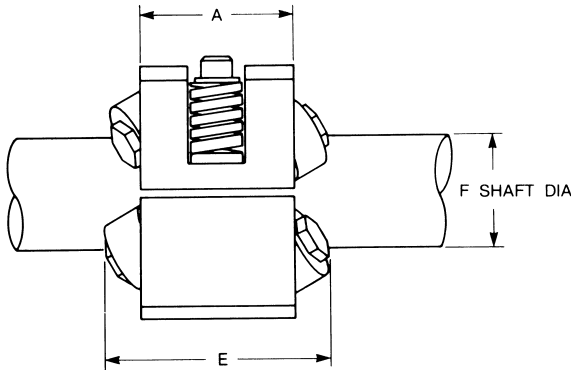


The E&E Rotary Driven Linear Actuator provides linear motion through a rotational movement of a drive shaft. The unit is equipped with permanently-lubed bearings. Drive shaft diameters of 3/8" to 3" are standardly available. Built in overload protection eliminates the need for a clutch. Units provide repeatability with less backlash. Use of case hardened and ground solid steel shafting is recommended.

APPLICATION

In mounting threadless nut installations of one or more units, any load or force applied at right angles to the shaft axis must assist the spring force rather than subtract from it. Conceivably, if the applied load is great enough only a very light spring force will be needed to move a heavy load.





SERIES	THRUST OUTPUT EACH UNIT
TNA	30 LBS. MAX
TNB	75 LBS. MAX
TNC	125 LBS. MAX
TND	300 LBS. MAX
TNE	500 LBS. MAX

MULTIPLE UNITS CAN BE USED FOR GREATER LOADS

CAD FILE NAME	PART NUMBER	DIMENSIONS									
		A	B	C	D	E	F	G	H	J TAP	LEAD
TNA1	TNA 381	2.00	1.50	1.50	2.19	2.63	.38	1.00	1.00	#10-32	.100
	TNA 385	2.00	1.50	1.50	2.19	2.63	.38	1.00	1.00	#10-32	.500
TNA2	TNA 121	2.00	1.50	1.50	2.19	2.63	.50	1.00	1.00	#10-32	.100
	TNA 125	2.00	1.50	1.50	2.19	2.63	.50	1.00	1.00	#10-32	.500
	TNA 1210	2.00	1.50	1.50	2.19	2.63	.50	1.00	1.00	#10-32	1.000
TNB1	TNB 581	2.50	2.00	2.00	2.69	3.19	.62	1.25	1.38	1/4-20	.100
	TNB 585	2.50	2.00	2.00	2.69	3.19	.62	1.25	1.38	1/4-20	.500
	TNB 5810	2.50	2.00	2.00	2.69	3.19	.62	1.25	1.38	1/4-20	1.000
TNB2	TNB 341	2.50	2.00	2.00	2.69	3.19	.75	1.25	1.38	1/4-20	.100
	TNB 345	2.50	2.00	2.00	2.69	3.19	.75	1.25	1.38	1/4-20	.500
	TNB 3410	2.50	2.00	2.00	2.69	3.19	.75	1.25	1.38	1/4-20	1.000
TNC	TNC 15	2.50	3.00	3.00	3.38	3.25	1.00	1.50	2.00	5/16-18	.500
	TNC 110	2.50	3.00	3.00	3.38	3.25	1.00	1.50	2.00	5/16-18	1.000
	TNC 115	2.50	3.00	3.00	3.38	3.25	1.00	1.50	2.00	5/16-18	1.500
TND	TND 210	2.50	4.00	4.00	4.44	3.37	2.00	1.50	3.25	1/4-20	1.000
	TND 220	2.50	4.00	4.00	4.44	3.37	2.00	1.50	3.25	1/4-20	2.000
	TND 230	2.50	4.00	4.00	4.44	3.37	2.00	1.50	3.25	1/4-20	3.000
TNE	TNE 315	2.50	5.00	5.00	5.19	3.28	3.00	1.75	4.00	3/8-16	1.500
	TNE 330	2.50	5.00	5.00	5.19	3.28	3.00	1.75	4.00	3/8-16	3.000
	TNE 340	2.50	5.00	5.00	5.19	3.28	3.00	1.75	4.00	3/8-16	4.000