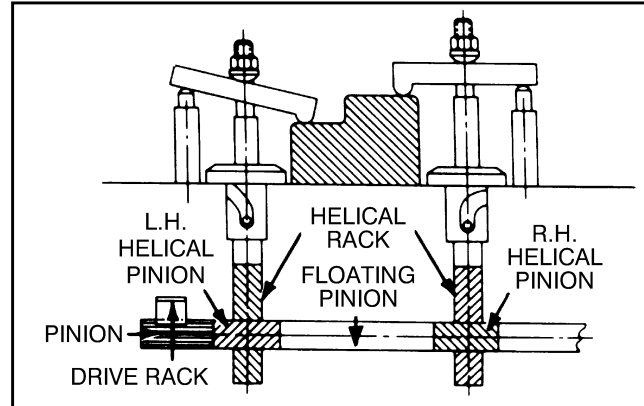


Non-Powered Rota-Shaft Clamps



A wide selection of standard sizes with 3/4", 1", 1 1/2", and 2" dia. shaft to accommodate light-or heavy-duty clamping applications. 90° right- or left-hand standard.

EQUALIZING HEELED CLAMPS FOR NON-POWERED ROTA-SHAFTS



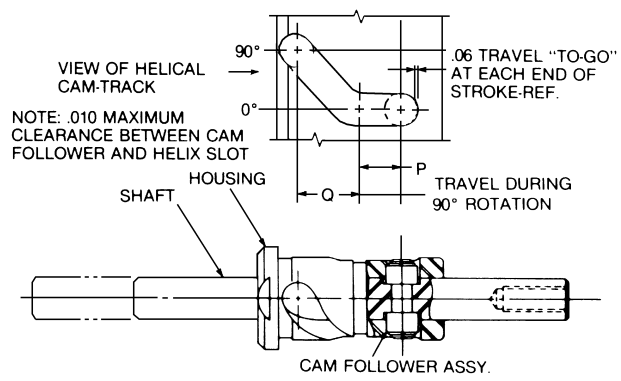
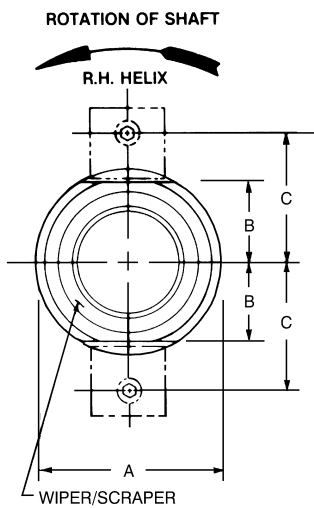
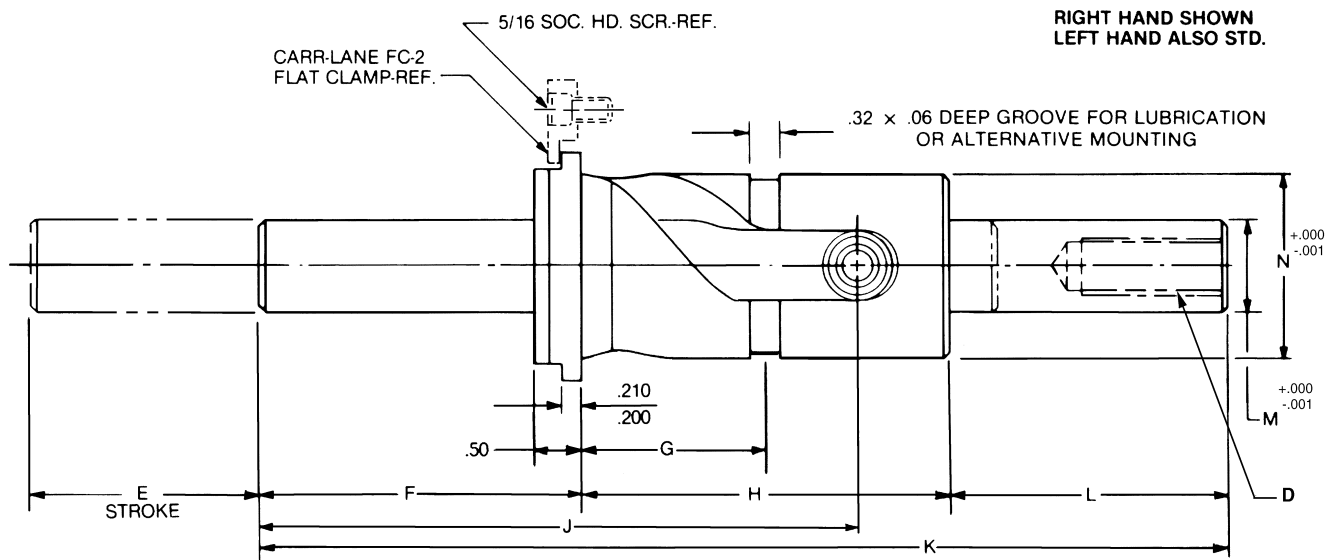
DESIGN FEATURES

- Precision machined cam track
- Hardened and ground housings
- Precision cam roller, hardened and ground
- High alloy machineable steel shafts
- Housing groove provides 360° access for easy lubrication
- Tapped holes in shafts provide easy attachment to cylinders or other means of actuation
- Opposite shaft end is blank for easy customer modification
- Milled flats provide easy and economical mounting using standardly available components
- Wide variety of standard sizes for virtually limitless range of applications – from small irregulars to large uneven workpieces
- Black oxide finish
- Right hand and left hand rotation are both standard

APPLICATION

Typically used in pull to clamp situations where a variety of actuation methods can be implemented.





CAD FILE NAME	PART NUMBER	DIMENSIONS														
		A	B	C	D	E	F	G	H	J	K	L	M	N	P	Q
E75206	E75206 R/L	2.00	.75	1.406	7/16-20 TAP 1.00 DEEP	2.12	2.50	1.50	3.12	5.00	8.00	2.38	.750 DIA.	1.499 DIA.	1.00	1.12
E11500	E11500 R/L	2.50	1.06	1.718	5/8-18 TAP 1.50 DEEP	2.50	3.50	2.00	4.00	6.50	10.50	3.00	1.000 DIA.	1.999 DIA.	1.00	1.50
E14207	E14207 R/L	2.50	1.06	1.718	3/4-16 TAP 1.50 DEEP	2.50	3.50	2.00	4.00	6.50	10.50	3.00	1.500 DIA.	2.249 DIA.	1.00	1.50
E2000	E2000 R/L	3.50	1.56	2.218	1-14 TAP 2.00 DEEP	3.00	3.50	2.25	4.50	7.00	11.50	3.50	2.000 DIA.	2.999 DIA.	1.12	1.88