

Mini Non-Powered Rota-Shaft Clamps



E&E SPECIAL PRODUCTS
7200 MILLER DRIVE
WARREN, MI 48092
586-978-3377 / 586-978-3378 FAX



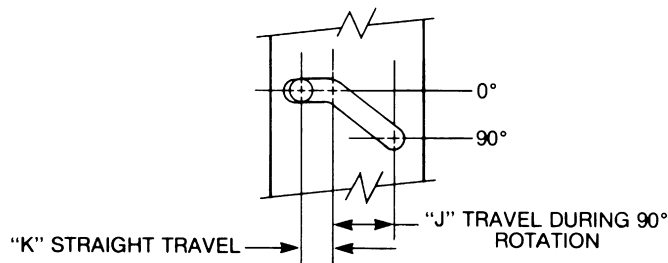
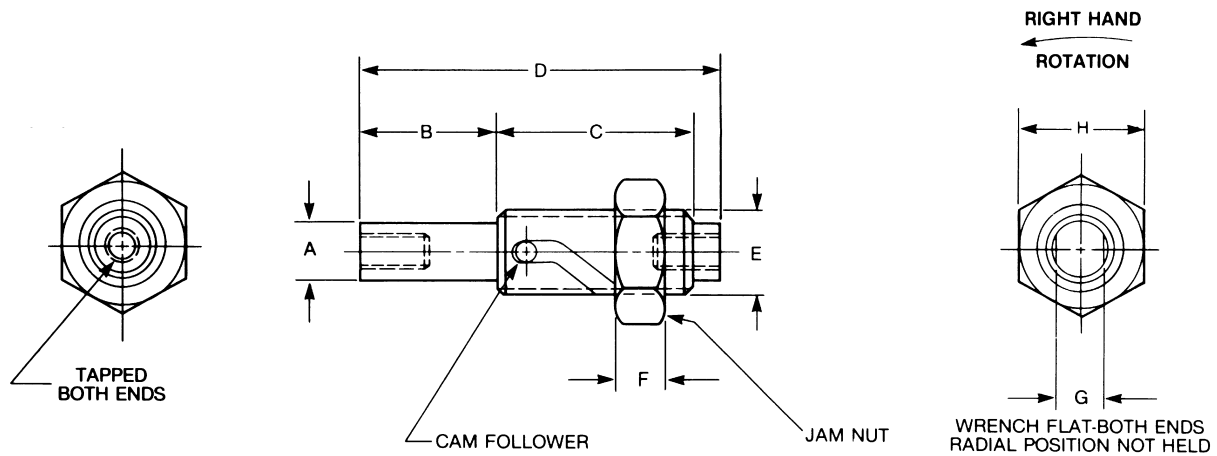
A wide selection of standard sizes with 3/8", 1/2", 5/8" dia. shafts to accommodate light-duty clamping applications. 90° right- or left-hand standard.

DESIGN FEATURES

- Fully-threaded body housing for easy set-up
- Hardened housing
- Precision machined cam track
- Precision cam follower, hardened and ground
- High alloy machineable steel shaft
- Lock nut provided
- Black oxide finish
- Right hand & left hand rotation are both standard

APPLICATION

Ideally suited for applications with small parts, limited accessibility. Can be actuated by plungers, cylinders, or various other linear actuation devices. Typically used for positioning, minimal holding in limited spaces.



VIEW OF HELICAL CAM TRACK

RIGHT HAND SHOWN, LEFT HAND ALSO STANDARD

CAD FILE NAME	PART NUMBER	TAP BOTH ENDS	DIMENSIONS									
			A	B	C	D	E	F	G	H	J	K
E12510	E12510 (R/L)	1/4-28 .50 DP	.371 .001	1.00	1.50	2.75	5/8-18 THD.	.38	.31	.94	.63	.25
E12610	E12610 (R/L)	5/16-24 .62 DP	.496 ±.001	1.25	1.75	3.25	3/4-16 THD.	.44	.43	1.12	.63	.50
E12710	E12710 (R/L)	3/8-24 1.00 DP	.621 .001	1.50	2.00	3.75	1-14 THD.	.56	.56	1.50	.63	.62