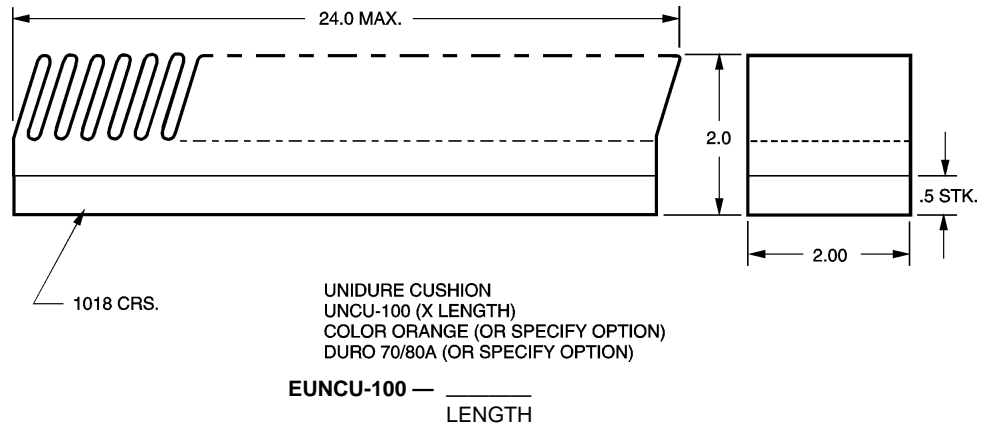


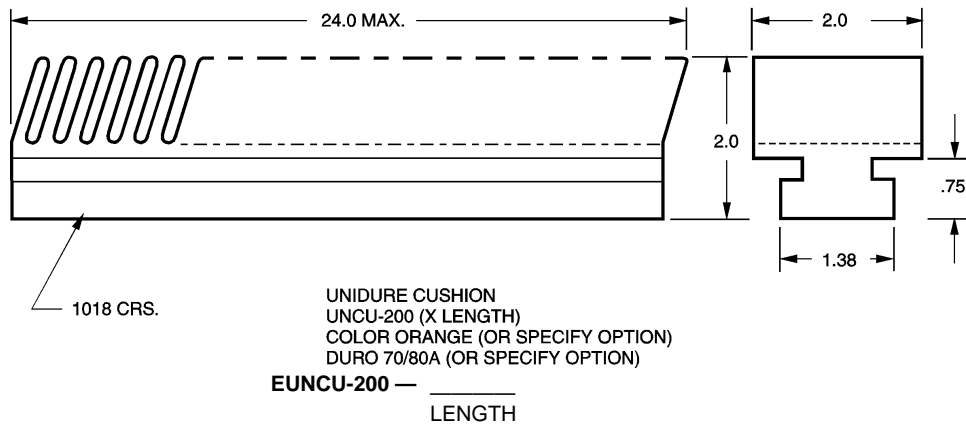
Unidure Cushion



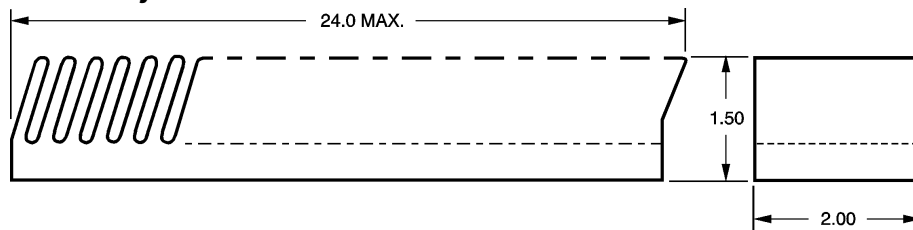
Screw or Weld Down Style



Unistrut® Insert Style



Nail Glue Screw Down Style



CAD FILE NAME=
 EUN-CU

UNIDURE CUSHION
 UNCU-300 (X LENGTH)
 COLOR ORANGE (OR SPECIFY OPTION)
 DURO 70/80A (OR SPECIFY OPTION)

EUNCU-300 — LENGTH

CAD Directory
 MATL-Handling\Bumper